

INSTALLATION

Of Spacers for UR/PLIV

IMPORTANT: SPACER (J) MUST BE INSTALLED UNDER THE AUXILIARY BRACKET(D)(Part of the Side Assembly).

1. Align the edge of Spacer(J) pointing toward the middle of the spa with the edge of the Auxiliary Bracket(D) that is pointing toward the middle of the spa. Make sure Spacer is align flush on the back side of the Auxiliary Bracket(D) before holding Auxiliary Bracket(D) together with Spacer(J) and drill 4 holes using a 7/64" (3mm) drill bit.

2. Holding the Spacer(J) together with Auxiliary Bracket(D). Align the 4 holes on the the spa cabinet to the 4 holes on Spacer(J) and Auxiliary Bracket(D). Making sure that Spacer(J) is aligned in back of Auxiliary Bracket, secure Auxiliary Bracket(D) and Spacer(J) to spa cabinet using (4) 2" Pan Head Screws(T) and #10 Washers(K)(Figure 1). Both Items(Screws & Washers) are located in Bag # 1.

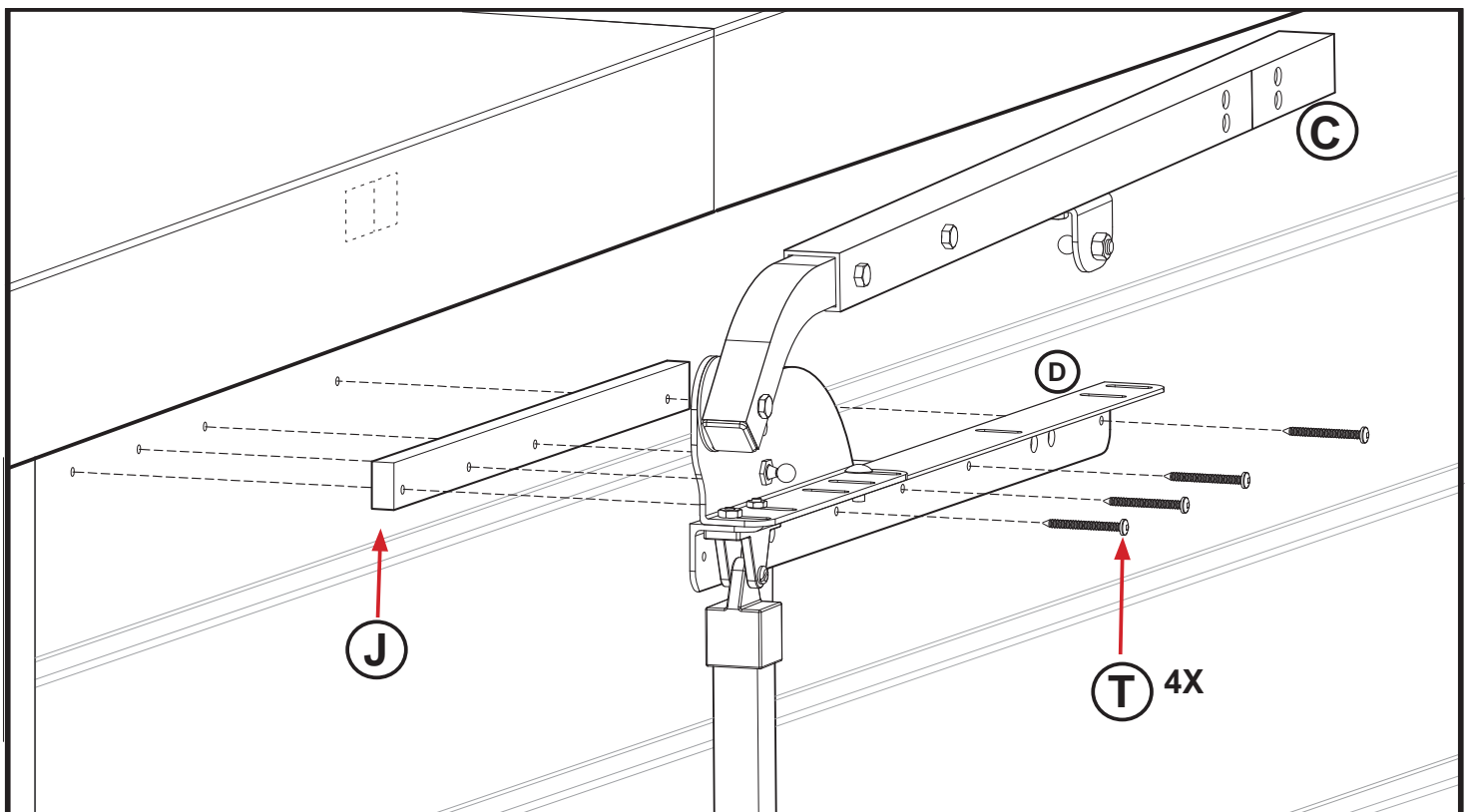


Figure 1